

**Hair dryer**


- Hair dryer to fix to the wall.
- High benefits. Drying hair powerful and fast.
- Suitable for uninterrupted use.
- Robust, with conical outlet connection to tube for a proportionate reduction of the air output.
- Holding the air handle by magnets.
- Suitable for collectivities and spaces of very high frequency of use.
- In accordance with European safety directives (EC).

**TECHNICAL DATA**

- Support made of black ABS and AISI 304 stainless steel satin gun.
- Spiral cord type gun-holder cable of length 450-1000 mm.
- Air temperature at 10 cm: 63°C.
- Motor speed of 22500 r.p.m
- Effective flow: 1450 l/min and air speed: 72 km/h.
- Total power of 1800 W (max.) - 900 W (min.).
- Motor power: 150 W alternating current.
- Voltage/Frequency: 220-240 V - 50/60 Hz.
- Electrical isolation: Class II.
- Maximum consumption of 7,8 A.
- Noise level at 2 meters: 65 dBA.
- Protection index: IP20.
- Dimensions: 213 height x 298 width x 140 depth (mm).
- Net weight: 0,8 kg.

**SUGGESTED TEXT FOR PRESCRIPTION**

Gun type professional hair dryer NOFER, by hot air to fix to wall of AISI 304 stainless steel, satin finish. Equipped with selectors to adjust air flow and temperature. Total power of 1800 W and air speed of 72 km/h. Dimensions: 213 height x 298 width x 140 depth (mm).



NOFER S.L.  
 Avenida de la fama, 118  
 08940 · Cornellà de Llobregat (Barcelona)  
 Tel +34 934 742 423 · Fax +34 934 743 548  
 nofer@nofer.com · www.nofer.com

**Related Products**

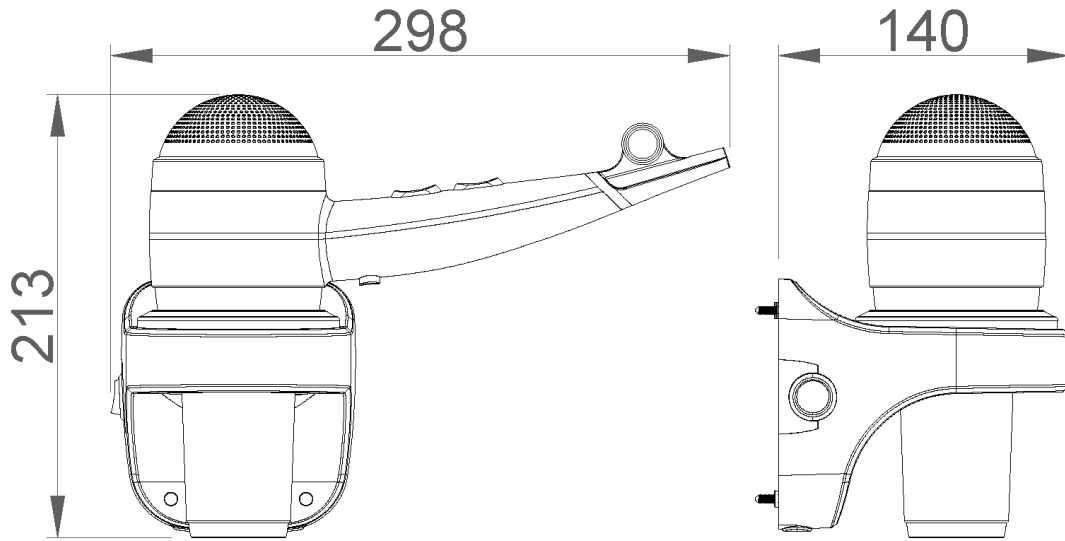
**02055.W**

**02055.G**

**02200.S**

**02200.W**

TECHNICAL DRAWING



DIMENSIONS IN mm