

AISI 304 stainless steel wall-mounted toothbrush holder. Polished finish



Description

- Tumbler made of AISI 304 stainless steel and glass.
- Durability and corrosion resistance.
- Suitable for public environments and high frequency of use.
- Gloss finish.

Technical characteristics

Vessel material: Crystal

Supporting material: AISI 304 stainless steel

Support finish: polished

Dimensions: 95 high x 136 wide x 100 deep (mm)

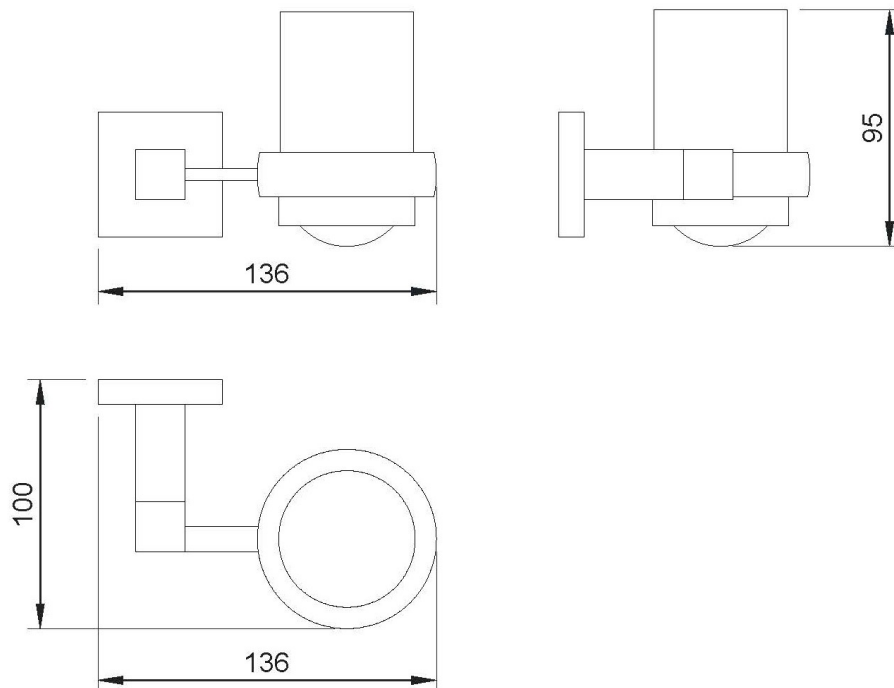
Suggested text for prescription

NOFER tumbler, made of stainless steel AISI 304.
Dimensions: 95 H x 136 W x 100 D (mm).

Fixing

Fijación oculta. Material de fijación incluido.

Dimensional drawing



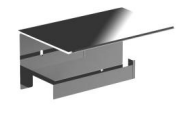


Ctra. Laureà Miró, 385-387
08980 | Sant Feliu de Llobregat,
Barcelona - Spain
T. +34 934 742 423
F. +34 934 743 548
nofer@nofer.com
www.nofer.com

RELATED
PRODUCTS



09075.B



16878.B



16900.B

These specifications may be modified and/or amended due to manufacturing requirements.