



Towel ring made of AISI 304 stainless steel.
Black finish

Description

- Towel ring.
- Durability and corrosion resistance.
- Suitable for public environments and height frequency of use.
- Stainless steel, black finish.

Suggested text for prescription

NOFER towel ring made of stainless steel AISI 304.
Dimensions: 192 H x 170 W x 50 D (mm).

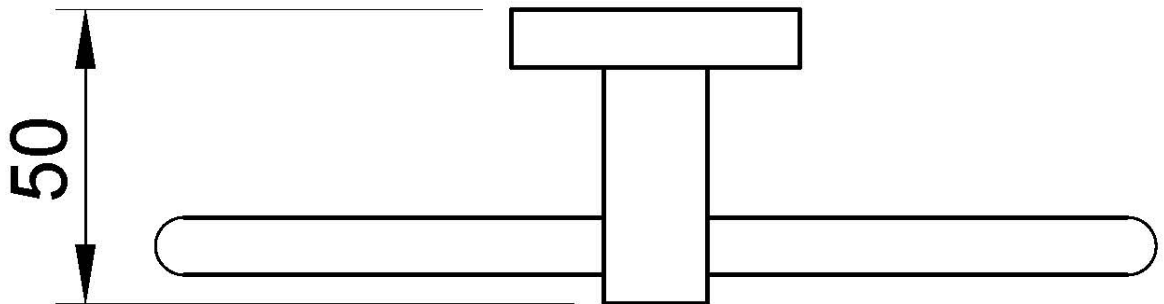
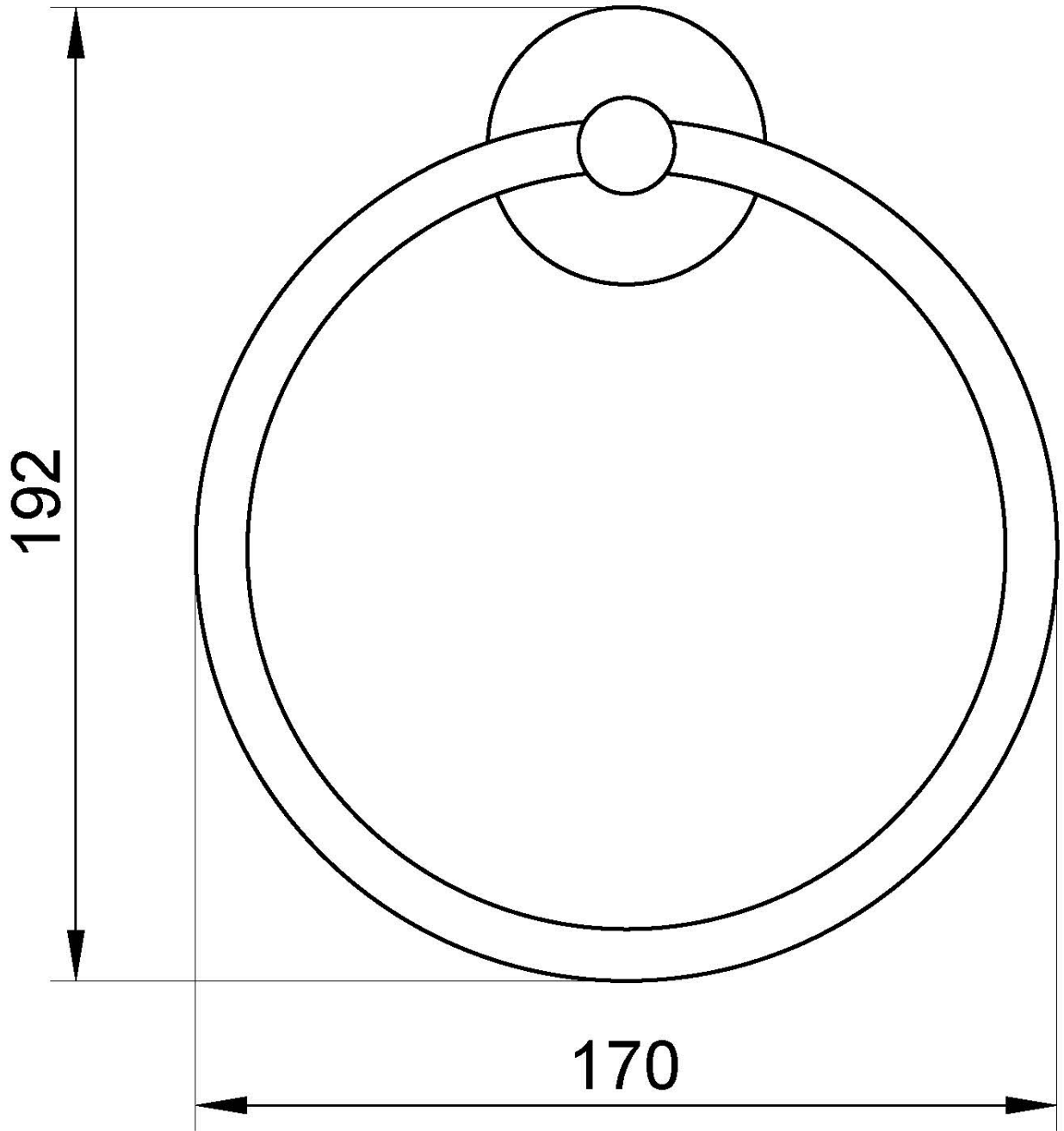
Technical characteristics

Material: AISI 304 stainless steel
Finishing: Black
Dimensions: 192 height x 170 width x 50 depth (mm)

Fixing

Concealed fixing.

Dimensional drawing





Ctra. Laureà Miró, 385-387
08980 | Sant Feliu de Llobregat,
Barcelona - Spain
T. +34 934 742 423
F. +34 934 743 548
nofer@nofer.com
www.nofer.com

RELATED PRODUCTS



09078.N



16849.N



16850.40.N

These specifications may be modified and/or amended due to manufacturing requirements.