

Chrome-plated brass double hanger. polished finish



Description

- Chrome-plated brass double wall hanger.
- Durability and corrosion resistance.
- Suitable for public environments.
- Bright finish.

Suggested text for prescription

NOFER double wall hanger, chrome-plated brass, bright finish. Brass tube body Ø20 mm "V" shaped with closed ends. Dimensions: Dimensions: 67 height x 117 width x 72 depth (mm). Wall bracket Ø50 mm.

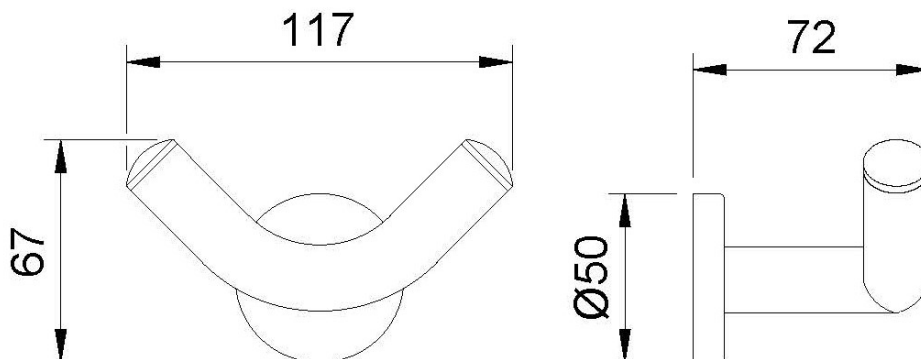
Technical characteristics

Material: Chrome-plated brass
Finishing: polished
Dimensions: 67 height x 117 width x 72 depth (mm)
Pipe diameter: Ø20 mm
Thickness: 1 mm
Wall bracket dimensions: Ø50 mm
Net weight: 0.21 kg

Fixing

Concealed wall mounting. Fixing screws included.

Dimensional drawing





08980 | Sant Feliu de Llobregat,
Barcelona - Spain
T. +34 934 742 423
F. +34 934 743 548
nofer@nofer.com
www.nofer.com

RELATED
PRODUCTS



09059.B



16350.B



16351.B

These specifications may be modified and/or amended due to manufacturing requirements.