



Stainless steel toilet brush holder. Satin finish

Description

- Stainless steel floor standing toilet brush holder.
- Satin finish stainless steel sheet.
- Also available in polished finish (NOFER 09078.B) and black finish (NOFER 09078.N).
- Suitable for public areas.
- Resistance and durability.

Suggested text for prescription

NOFER floor mounted toilet brush holder, made of stainless steel, satin finish.
Dimensions: 252 high (with handle 382 high) x Ø105 (mm).

Technical characteristics

Material: Stainless steel

Finishing: Satin

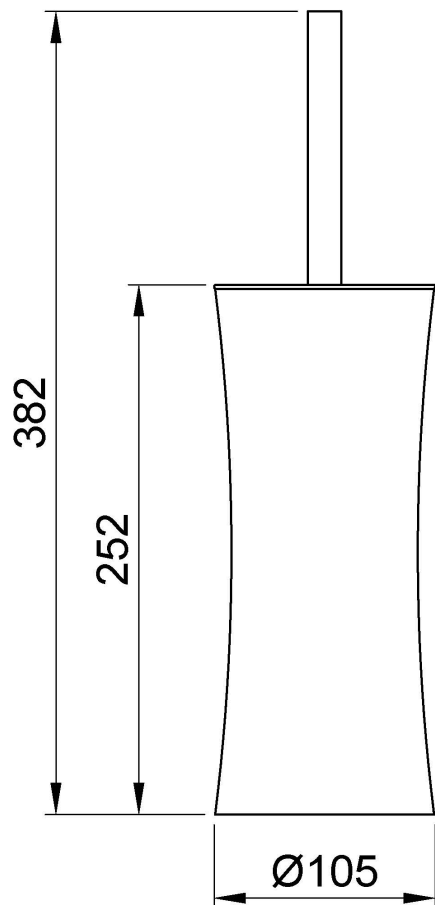
Dimensions: 252 height (with handle 382 height) x Ø105 (mm)

Material inner tray: Polypropylene

Maintenance

Stainless steel requires maintenance as dirt over time can damage the chromium (Cr) contained in stainless steel. We recommend a monthly cleaning with a specialized product for stainless steel.

Dimensional drawing



Ctra. Laureà Miró, 385-387
08980 | Sant Feliu de Llobregat,
Barcelona - Spain
T. +34 934 742 423
F. +34 934 743 548
nofer@nofer.com
www.nofer.com

RELATED
PRODUCTS



16849.S



16850.40.S



16850.60.S

These specifications may be modified and/or amended due to manufacturing requirements.